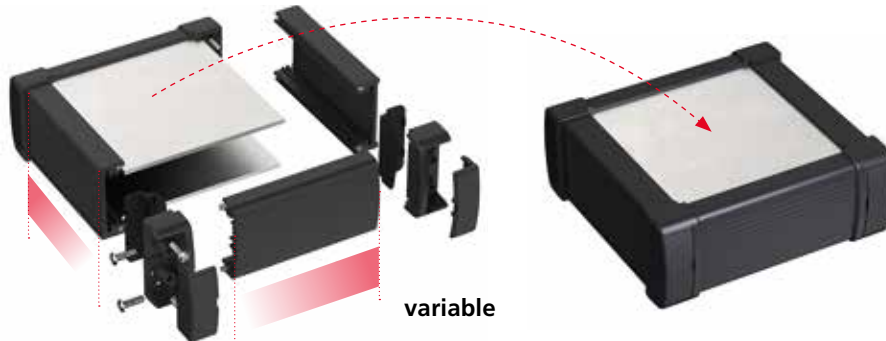
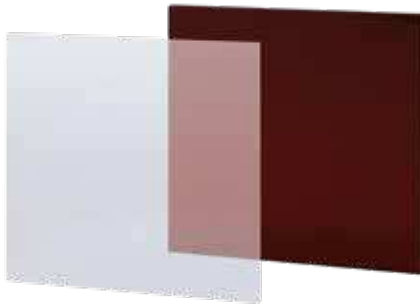


## The product advantages



The frame construction consisting of powder-coated aluminium profiles and diecast corners permits assembly with varying widths and lengths.



Cover plates in different materials and surfaces adapt to the application and create interesting visual effects.



Two profile variants are available for enclosures with 50 mm and 100 mm height.



On the Aluplan 100, the cover plates can be removed without disassembly of the frame.



The high level of IP65 protection is achieved by the use of round cord seals in the profiles and pre-formed seals in the diecast corners.



**Quick-Finder:**  
[www.bopla.de/64](http://www.bopla.de/64)

## Examples of use





**BOPLA**

A Phoenix Mecano Company

# Aluplan



## Colour:

● Aluplan 50: Black, similar to RAL 9005

● Aluplan 100: Light grey, similar to RAL 7035

Special colours on request

## Protection class:

IP65 / DIN EN 60529

## Material:

Extruded profiles: Al Mg Si 0.5 powder coated

Diecast corners: Zinklegierung Z410, powder coated

Corner caps: PA-GF 15

Corner part seal: TPV / TPE

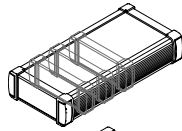
Seal in profile groove: EPDM

For details see technical information.

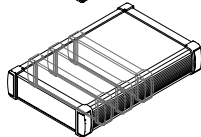


## Enclosure sizes

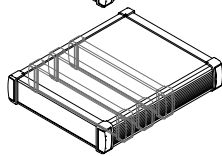
AP 510...



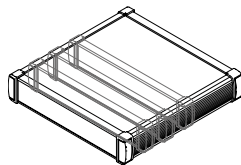
AP 515...



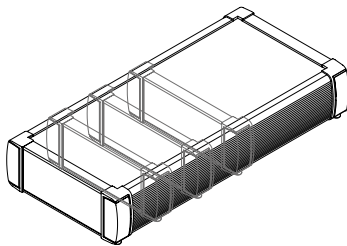
AP 520...



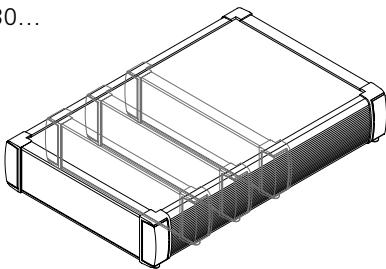
AP 525...



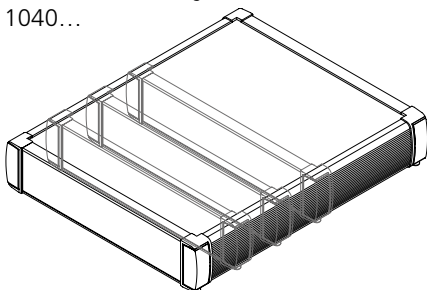
AP 1020...



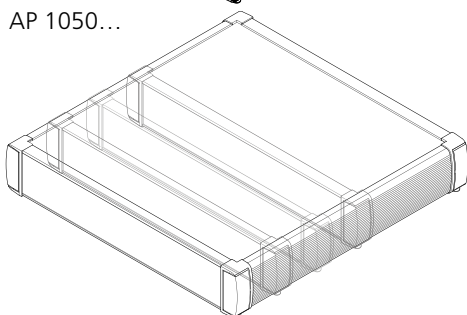
AP 1030...



AP 1040...

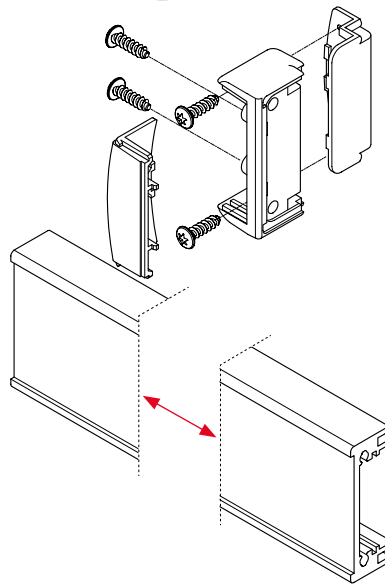
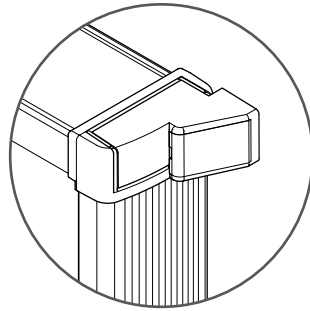


AP 1050...

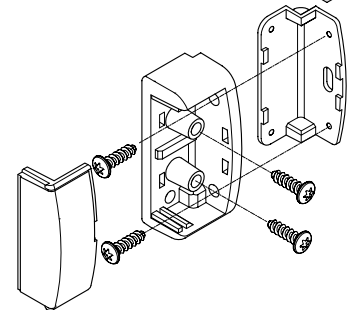
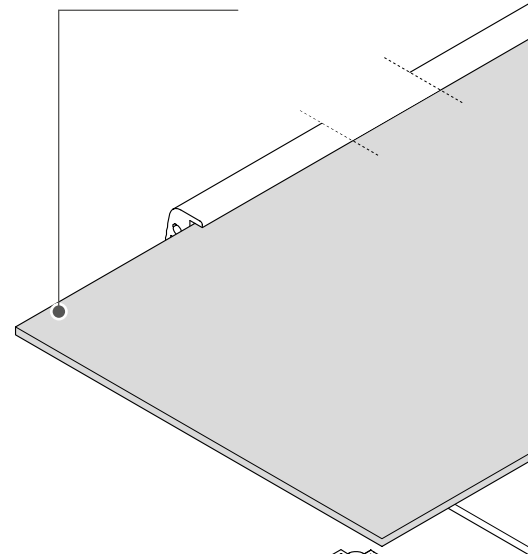


## Enclosure design

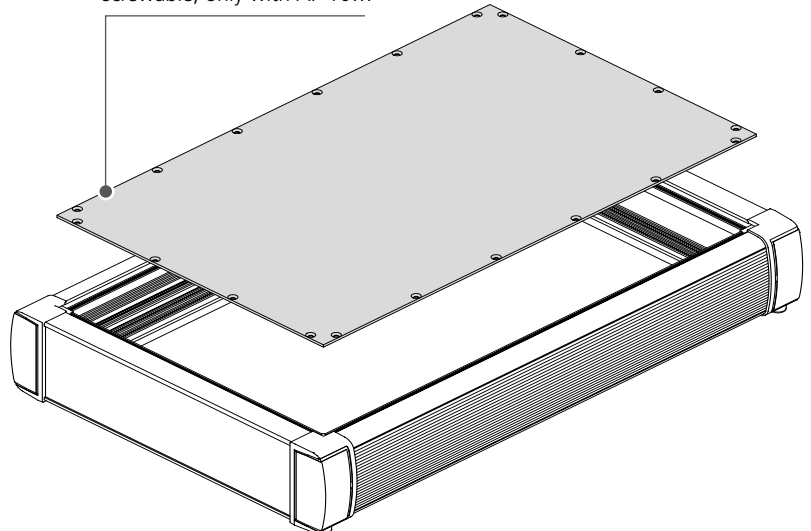
**Wall bracket**  
AP 5... WL



**Front panel**  
insertable



**Frontplatte**  
screwable, only with AP 10...

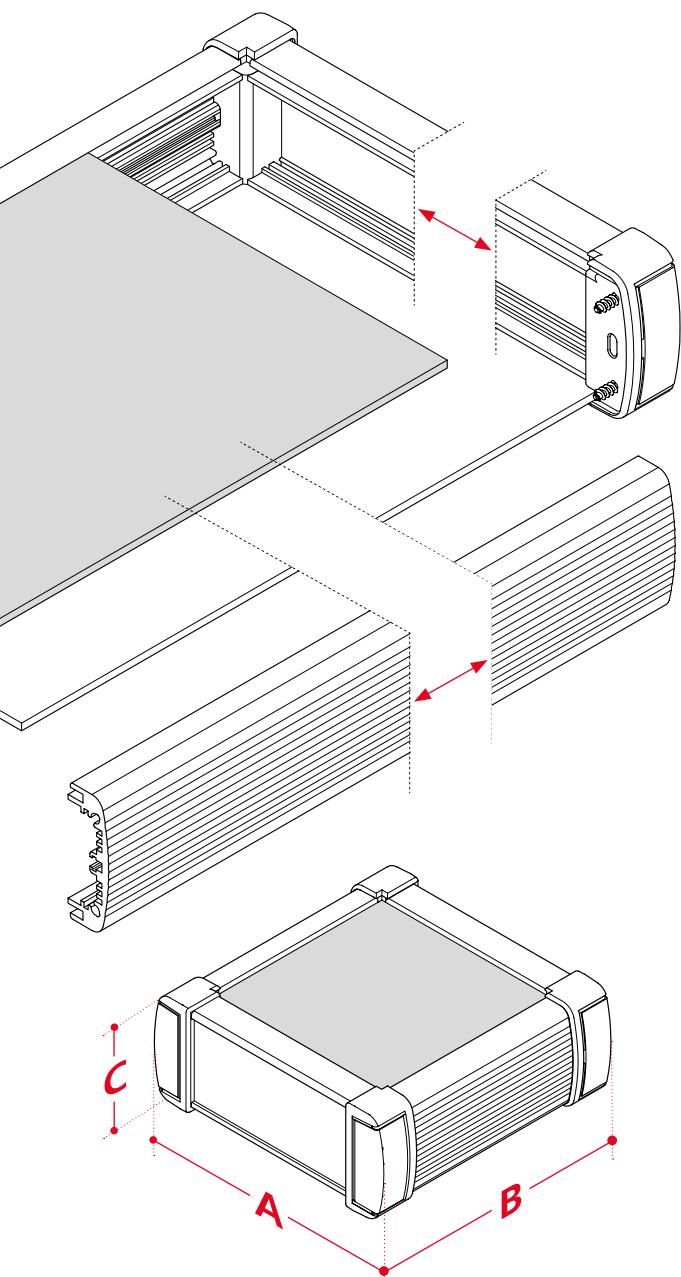


# Aluplan



**BOPLA**

A Phoenix Mecano Company



## Dimensions

Model	A	B	C
AP 51010	143	145	56
AP 51015	143	195	56
AP 51020	143	245	56
AP 51025	143	295	56
AP 51510	193	145	56
AP 51515	193	195	56
AP 51520	193	245	56
AP 51525	193	295	56
AP 52010	243	145	56
AP 52015	243	193	56
AP 52020	243	245	56
AP 52025	243	295	56
AP 52510	293	145	56
AP 52515	293	195	56
AP 52520	293	245	56
AP 52525	293	295	56
AP 102020	278	278	100
AP 102030	278	378	100
AP 102040	278	478	100
AP 102050	278	578	100
AP 103020	378	278	100
AP 103030	378	378	100
AP 103040	378	478	100
AP 103050	378	578	100
AP 104020	478	278	100
AP 104030	478	378	100
AP 104040	478	478	100
AP 104050	478	578	100
AP 105020	578	278	100
AP 105030	578	378	100
AP 105040	578	478	100
AP 105050	578	578	100

Individual profile lengths (A and B lengths) on request.

## Accessories



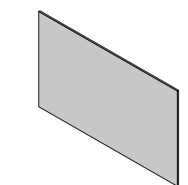
Handle



Wall bracket



Tip-up foot set



Front panels in different versions



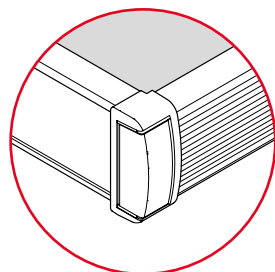
Unit foot



Set of hinges AP 10

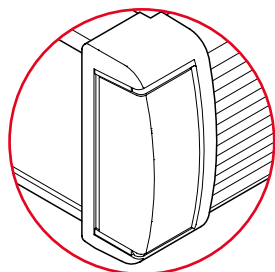
### Enclosure height

5... / 59 mm



### Enclosure height

10... / 100 mm



# Aluplan

## Enclosure profile sets



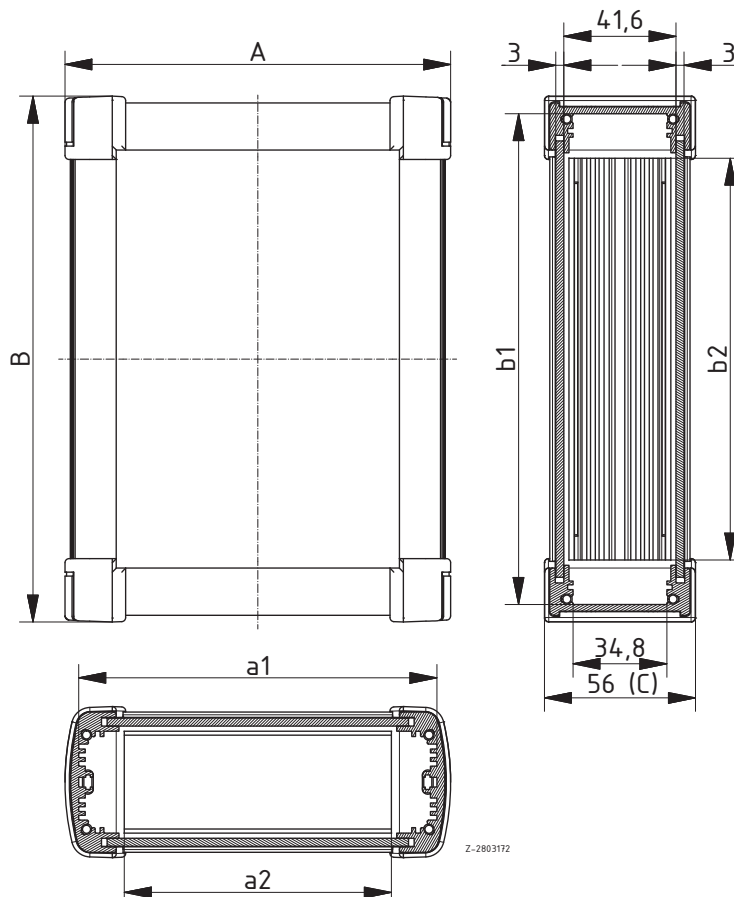
### Aluplan AP 5.... enclosure profile set

Model	Order no.	A	B	C	a1	a2	b1	b2
AP 51010	64051010	143	145	56	132.8	99	132	99
AP 51015	64051015	143	195	56	132.8	99	182	149
AP 51020	64051020	143	245	56	132.8	99	232	199
AP 51025	64051025	143	295	56	132.8	99	282	249
AP 51510	64051510	193	145	56	182.8	149	132	99
AP 51515	64051515	193	195	56	182.8	149	182	149
AP 51520	64051520	193	245	56	182.8	149	232	199
AP 51525	64051525	193	295	56	182.8	149	282	249
AP 52010	64052010	243	145	56	232.8	199	132	99
AP 52015	64052015	243	193	56	232.8	199	182	149
AP 52020	64052020	243	245	56	232.8	199	232	199
AP 52025	64052025	243	295	56	232.8	199	282	249
AP 52510	64052510	293	145	56	282.8	249	132	99
AP 52515	64052515	293	195	56	282.8	249	182	149
AP 52520	64052520	293	245	56	282.8	249	232	199
AP 52525	64052525	293	295	56	282.8	249	282	249

**Scope Of Delivery:** 2 front profiles including seal, 2 side profiles including seal, 4 diecast corners, 4 corner seals, 4 covers, 16 screws, 4 rubber feet. Please order front panels separately.

**Notes:** The smooth outer surface of the front profiles can be used to fit membranes or membrane keypads.

Determination of dimensions for AP 50 profile cuts (special dimensions): Length of AP 50 front profile = dim. A – 43 mm  
Length of AP 50 side profile = dim. B – 45 mm



Z-2803172

# Aluplan

## Enclosure profile sets

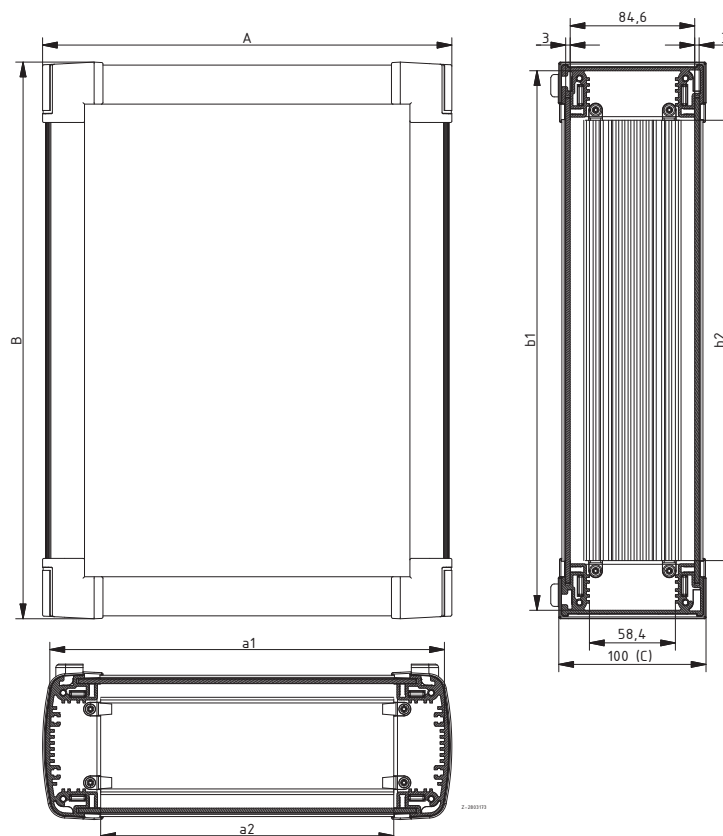
### Aluplan AP 10... enclosure profile set

Model	Order no.	A	B	C	a1	a2	b1	b2	Colour
AP 102020	64312020	278	278	100	268	199	266.4	199	Light grey
AP 102030	64312030	278	378	100	268	199	366.4	299	Light grey
AP 102040	64312040	278	478	100	268	199	466.4	399	Light grey
AP 102050	64312050	278	578	100	268	199	566.4	499	Light grey
AP 103020	64313020	378	278	100	368	299	266.4	199	Light grey
AP 103030	64313030	378	378	100	368	299	366.4	299	Light grey
AP 103040	64313040	378	478	100	368	299	466.4	399	Light grey
AP 103050	64313050	378	578	100	368	299	566.4	499	Light grey
AP 104020	64314020	478	278	100	468	399	266.4	199	Light grey
AP 104030	64314030	478	378	100	468	399	366.4	299	Light grey
AP 104040	64314040	478	478	100	468	399	466.4	399	Light grey
AP 104050	64314050	478	578	100	468	399	566.4	499	Light grey
AP 105020	64315020	578	278	100	568	499	266.4	199	Light grey
AP 105030	64315030	578	378	100	568	499	366.4	299	Light grey
AP 105040	64315040	578	478	100	568	499	466.4	399	Light grey
AP 105050	64315050	578	578	100	568	499	566.4	499	Light grey



**Scope Of Delivery:** 2 front profiles including seal, 2 side profiles including seal, 4 diecast corners, 4 corner seals, 4 covers, 16 screws, 4 rubber feet. Please order front panels separately.

**Notes:** The smooth outer surface of the front profiles can be used to fit membranes or membrane keypads. The corner piece provides mounting space for various connectors behind the removable covers (IP 40). Concealed blind holes are provided in the corner pieces so that the enclosure can be screwed to the wall. Determination of dimensions for AP 100 profile cuts (special dimensions): Length of AP 100 front profile = dim. A – 78 mm Length of AP 100 side profile = dim. B – 78 mm



# Aluplan

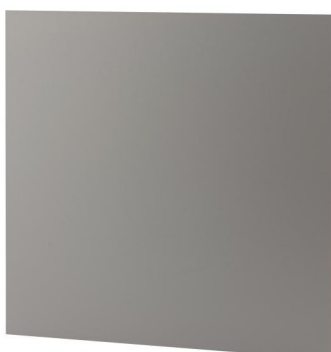
## Front panel



### Front panels for AP 5..., 3 mm, natural coloured anodised aluminium

Model	Order no.	Note
AP 01010 FA3	<b>64101010</b>	For AP 51010
AP 01015 FA3	<b>64101015</b>	For AP 51015
AP 01020 FA3	<b>64101020</b>	For AP 51020
AP 01025 FA3	<b>64101025</b>	For AP 51025
AP 01510 FA3	<b>64101510</b>	For AP 51510
AP 01515 FA3	<b>64101515</b>	For AP 51515
AP 01520 FA3	<b>64101520</b>	For AP 51520
AP 01525 FA3	<b>64101525</b>	For AP 51525
AP 02010 FA3	<b>64102010</b>	For AP 52010
AP 02015 FA3	<b>64102015</b>	For AP 52015
AP 02020 FA3	<b>64102020</b>	For AP 52020
AP 02025 FA3	<b>64102025</b>	For AP 52025
AP 02510 FA3	<b>64102510</b>	For AP 52510
AP 02515 FA3	<b>64102515</b>	For AP 52515
AP 02520 FA3	<b>64102520</b>	For AP 52520
AP 02525 FA3	<b>64102525</b>	For AP 52525

Scope Of Delivery: 1 front panel



### Plug-in front panel for AP 10..., IP 65, 3 mm, natural-coloured anodised aluminium

Model	Order no.	Note
AP 102020 FA3	<b>64322020</b>	For AP 102020
AP 102030 FA3	<b>64322030</b>	For AP 102030
AP 102040 FA3	<b>64322040</b>	For AP 102040
AP 102050 FA3	<b>64322050</b>	For AP 102050
AP 103020 FA3	<b>64323020</b>	For AP 103020
AP 103030 FA3	<b>64323030</b>	For AP 103030
AP 103040 FA3	<b>64323040</b>	For AP 103040
AP 103050 FA3	<b>64323050</b>	For AP 103050
AP 104020 FA3	<b>64324020</b>	For AP 104020
AP 104030 FA3	<b>64324030</b>	For AP 104030
AP 104040 FA3	<b>64324040</b>	For AP 104040
AP 104050 FA3	<b>64324050</b>	For AP 104050
AP 105020 FA3	<b>64325020</b>	For AP 105020
AP 105030 FA3	<b>64325030</b>	For AP 105030
AP 105040 FA3	<b>64325040</b>	For AP 105040
AP 105050 FA3	<b>64325050</b>	For AP 105050

Scope Of Delivery: 1 front panel



# Aluplan

## Front panel

### Screw-on front panel for AP 10..., IP 65, 3 mm, natural-coloured anodised aluminium

Model	Order no.	Note
AP 102020 FAS3-IP	<b>64342020</b>	For AP 102020
AP 102030 FAS3-IP	<b>64342030</b>	For AP 102030
AP 102040 FAS3-IP	<b>64342040</b>	For AP 102040
AP 102050 FAS3-IP	<b>64342050</b>	For AP 102050
AP 103020 FAS3-IP	<b>64343020</b>	For AP 103020
AP 103030 FAS3-IP	<b>64343030</b>	For AP 103030
AP 103040 FAS3-IP	<b>64343040</b>	For AP 103040
AP 103050 FAS3-IP	<b>64343050</b>	For AP 103050
AP 104020 FAS3-IP	<b>64344020</b>	For AP 104020
AP 104030 FAS3-IP	<b>64344030</b>	For AP 104030
AP 104040 FAS3-IP	<b>64344040</b>	For AP 104040
AP 104050 FAS3-IP	<b>64344050</b>	For AP 104050
AP 105020 FAS3-IP	<b>64345020</b>	For AP 105020
AP 105030 FAS3-IP	<b>64345030</b>	For AP 105030
AP 105040 FAS3-IP	<b>64345040</b>	For AP 105040
AP 105050 FAS3-IP	<b>64345050</b>	For AP 105050



**Scope Of Delivery:** 1 front panel incl. fitted flat seal



## Aluplan Accessories



### Handle for AP 5...

Model	Order no.	Note
AP 10 HS	64110010	For side / front profile length 100 mm
AP 15 HS	64110015	For side / front profile length 150 mm
AP 20 HS	64110020	For side / front profile length 200 mm
AP 25 HS	64110025	For side / front profile length 250 mm

**Scope Of Delivery:** HS: Handle side parts (PA6), seals, screws HSP: profile (aluminium)  
**Notes:** Processing of the profiles on request. The maximum load of the handle is 300 N.



### Handle for AP 10...

Model	Order no.	Note
AP 10-20 HS	64360220	For enclosures with front / side profile length 200 mm
AP 10-30 HS	64360230	For enclosures with front / side profile length 300 mm
AP 10-40 HS	64360240	For enclosures with front / side profile length 400 mm
AP 10-50 HS	64360250	For enclosures with front / side profile length 500 mm

**Scope Of Delivery:** HS: Handle side parts (PA6), seals, screws HSP: profile (aluminium)  
**Notes:** Processing of the profiles on request. The maximum load of the handle is 300 N.



AP 50000 WL

AP 50000 WLS

### Wall brackets for AP 5...

Model	Order no.	Note
AP 50000 WL	64115000	For wall mounting parallel to the front panel
AP 50000 WLS	64115010	For wall mounting on side profile
AP 50000 WLF	64115020	For wall mounting to the front profile

**Scope Of Delivery:** WL: 4 wall brackets (PA6 GF15), 4 covers, screws; WLS / WLF: 2 wall brackets (Aluminium, powder-coated), screws



### Tip-up foot set, polyamide

Model	Order no.	Note
AB 1230	39603000	Including 4 sheet metal screws

**Scope Of Delivery:** Set-up foot set (2 fixed and 2 hinged feet), fixing material  
**Notes:** Processing of the front panels on request



### Unit foot for AP 10...

Model	Order no.
AP 10 GF	64360060

**Scope Of Delivery:** 4 unit feet  
**Notes:** The unit foot can be fitted directly into the existing wall fitting drill holes

# Aluplan

## Accessories

### Hinge set for AP 10...

Model	Order no.	Colour	Note
AP 10 SC1	<b>64360110</b>	Light grey	Assembly on front on front profile
AP 10 SC2	<b>64360120</b>	Light grey	Assembly on rear on front profile
AP 10 SC3	<b>64360130</b>	Light grey	Assembly on front on side profile
AP 10 SC4	<b>64360140</b>	Light grey	Assembly on rear on side profile

**Scope Of Delivery:** 2 hinges (steel, chrome-plated), including fixing material

**Notes:** Ingress protection IP 65 can only be achieved by screwing on front panel AP 10... FAS3-IP. Processing of the enclosure/front panel on request



### Lock set for AP 10...

Model	Order no.
AP 10 SHLO	<b>64360050</b>

**Scope Of Delivery:** Lock, 2 keys

**Notes:** Processing of the front panels on request



### Assembly kit and seal set for AP 10...

Model	Order no.	Note
AP BFS 1	<b>64360010</b>	Assembly kit for front panel AP 10... FAS (-IP)
AP BFS 2	<b>64360020</b>	Slide nuts M5 suitable for T-groove on front profile for screwing on various elements
AP BFS 3	<b>64360030</b>	Screws and dowels for fitting the enclosure or wall profile to the wall
AP FAS-IP	<b>64360040</b>	Sealing tape for special or customer's own front panel for subsequent upgrading to IP 65

**Scope Of Delivery:** AP BFS 1: 20 M4x10 raised countersunk head screws AP BFS 2: 20 M5 slide nuts AP BFS 3: 20 wood screws 5x50 and 20 dowels Ø 8x40 AP FAS-IP: 10 m sealing tape, self-adhesive on one side only

